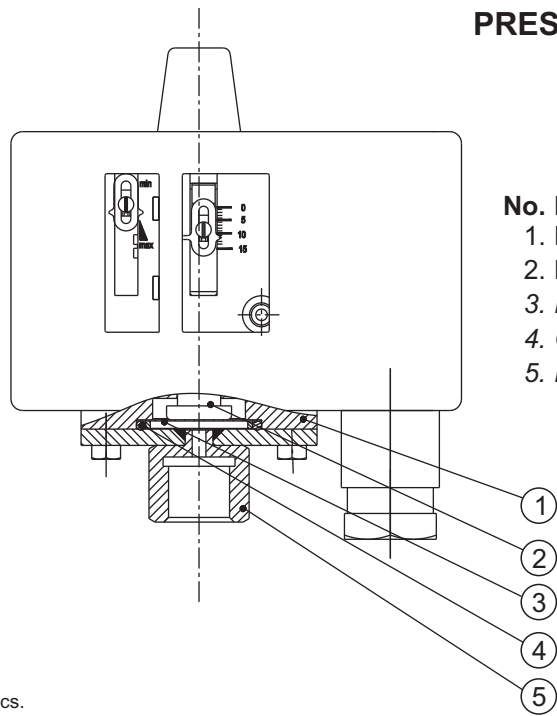


# EZ / EX

# OEM HIGH RANGE PRESSURE SWITCHES



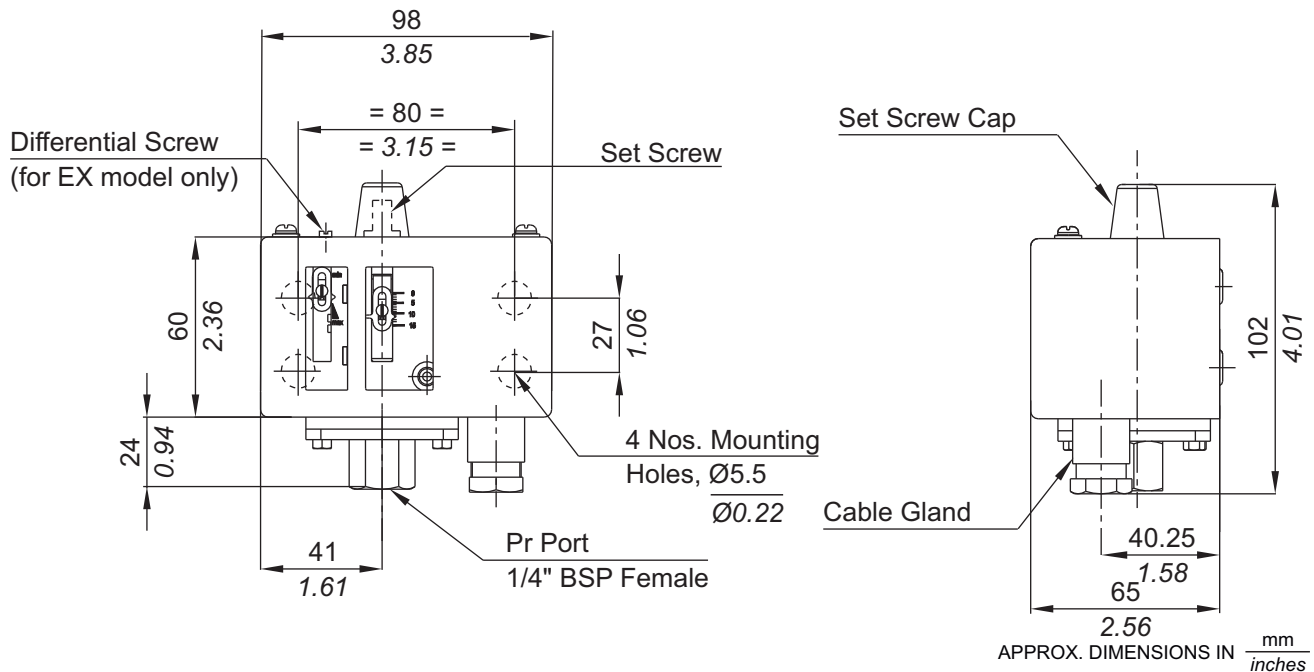
## PRESSURE CAPSULE DETAILS



- | No. | Description               |
|-----|---------------------------|
| 1.  | Disc                      |
| 2.  | Plunger                   |
| 3.  | Diaphragm (PTFE®)         |
| 4.  | O ring (PTFE®)            |
| 5.  | Pressure Housing (SS 316) |

Note : *wetted parts* are mentioned in italics.

## INSTALLATION DRAWING



# OEM HIGH RANGE PRESSURE SWITCHES

# EZ / EX

## General information:

EZ /EX series pressure switches are housed in pressed steel powder coated enclosure and are recommended for panel mounting or indoor service. The repeat accuracy is better than  $\pm 1.5\%$  FSR. A 3/8" cable entry is provided for cables and a terminal strip suitable for wired ends is provided inside the enclosure. Pressure port is 1/4" BSPF standard.

## Features:

- Compact
- SS316 & PTFE as standard wetted parts
- Electrical rating : 5A, 250 VAC; 0.2A, 250VDC (res.)
- Pressure port: 1/4" BSPF

## Range Selection Table

Model Code	† Range bar (psi)	*Approximate Maximum Differential bar (psi)	* Adjustable Differential bar (psi)	Maximum Working Pressure bar (psi)
EZ1	0.1 - 1.0 (1.45 - 14.50)	0.15 (2.17)	-	12 (174.05)
EZ4	0.2 - 3.6 (2.90 - 52.21)	0.30 (4.35)	-	12 (174.05)
EZ7	0.5 - 7.0 (7.25 - 101.52)	0.50 (7.25)	-	12 (174.05)
EZ15	1.0 - 15.0 (14.50 - 217.71)	1.00 (14.50)	-	25 (362.6)
EZ30	5.0 - 25.0 (72.52 - 362.6)	2.50 (36.25)	-	35 (507.63)
EX1	0.1 - 1.0 (1.45 - 14.50)	0.20 (2.90)	1.0 (14.50)	12 (174.05)
EX4	0.2 - 3.6 (2.90 - 52.21)	0.40 (5.80)	1.5 (21.75)	12 (174.05)
EX7	0.5 - 7.0 (7.25 - 101.52)	-	1.4 - 6.0 (20.30 - 87.02)	12 (174.05)
EX15	1.0 - 15.0 (14.50 - 217.71)	-	2.0 - 10.0 (29.00 - 145.04)	25 (362.6)
EX30	5.0 - 25.0 (72.52 - 362.6)	-	2.5 - 10.0 (36.26 - 145.04)	35 (507.63)

\*Minimum differential increases with setpoint (Graphs available on request)

† rising pressure for EZ series; falling pressure for EX series

## HOW TO ORDER EZ/EX OEM HIGH RANGE PRESSURE SWITCHES

Please specify model code as per range selection table above.